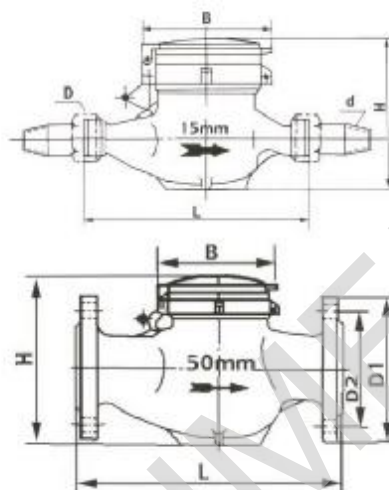

MULTI-JET DRY TYPE VANE WHEEL WATER METER

MODEL: LXSG-15E-50E



APPLICATION

Measuring the volume of cold potable water passing through the pipeline

FEATURES

Dry type, magnetic drive, antimagnetic function, pointer-roller indicator, easy and long term clear reading, frost resistance, long work life etc

Available non-return valve, inlet strainer and pulse output on request.

Class C water meter is available for 15mm (1/2 inch) and 20mm (3/4 inch).

WORKING CONDITION

Water temperature: $\leq 50^{\circ}\text{C}$ for cold water meter

$\leq 90^{\circ}\text{C}$ for hot water meter

Water pressure: $\leq 1\text{MPa}$ or 1.6MPa optional

(10bar or 16bar optional)

MAXIMUM PERMISSIBLE ERROR

In the lower zone from Q_{\min} inclusive up to but excluding Q_t is $\pm 5\%$ _ In the upper zone from Q_t

inclusive up to and including Q_s is: cold water meter $\pm 2\%$, hot water meter $\pm 3\%$.

NOTE

Technical data conform to International Standard ISO4064

NINGBO AIMEI METER MANUFACTURE CO., LTD.

Address: 68 Western Town Road Shangtian Town Fenghua City Zhejiang China-315511

Tel: +86-574-88637838

Fax: +86-574-88637968

Email: aimei@chinaaimei.com

MAIN TECHNICAL DATA

Type	Size (mm)	Class	Qn	Qp	Qn	Qmin	Min. Reading	Max. Reading
			Max. Flow	Nominal Flow	Transitional Flow	Min. Flow		
			M ³ /h		L/h		M ³	
LXSG-15E	15	A	3	1.5	150	60	0.0001	99999
		B			120	30		
		C			22.5	15		
LXSG-20E	20	A	5	2.5	250	100	0.0001	99999
		B			200	50		
		C			37.5	25		
LXSG-25E	25	A	7	3.5	350	140	0.0001	99999
		B			280	70		
LXSG-32E	32	A	12	6.0	600	240	0.0001	99999
		B			480	120		
LXSG-40E	40	A	20	10	1000	400	0.001	99999
		B			800	200		
LXSG-50E	50	A	30	15	1500	600	0.001	99999
		B			1200	300		

ACCESSORIES

Each water meter has one set couplings optional: 2pcs tube, 2pcs nut and 2pcs gasket.

DIMENSIONS AND WEIGHT

Type	Size	Length	Width	Height	Connecting Thread D	Weight (kg)
	mm					
LXSG-15E	15	165/190	99	104	G 3/4B	1.4/1.6
LXSG-20E	20	190/195	99	106	G 1B	1.7/1.8
LXSG-25E	25	260/225	103	114	G1 1/4B	2.6/2.4
LXSG-32E	32	260/230	104	117	G1 1/2B	2.8/2.7
LXSG-40E	40	300/245	124	147	G 2B	5.1/4.5
LXSG-50E	50	300/280	125	172	G2 1/2B	8.5/8.2
					Flange connect GB4216.4-84 D=165 D1= 125	11.5/11

NINGBO AIMEI METER MANUFACTURE CO., LTD.

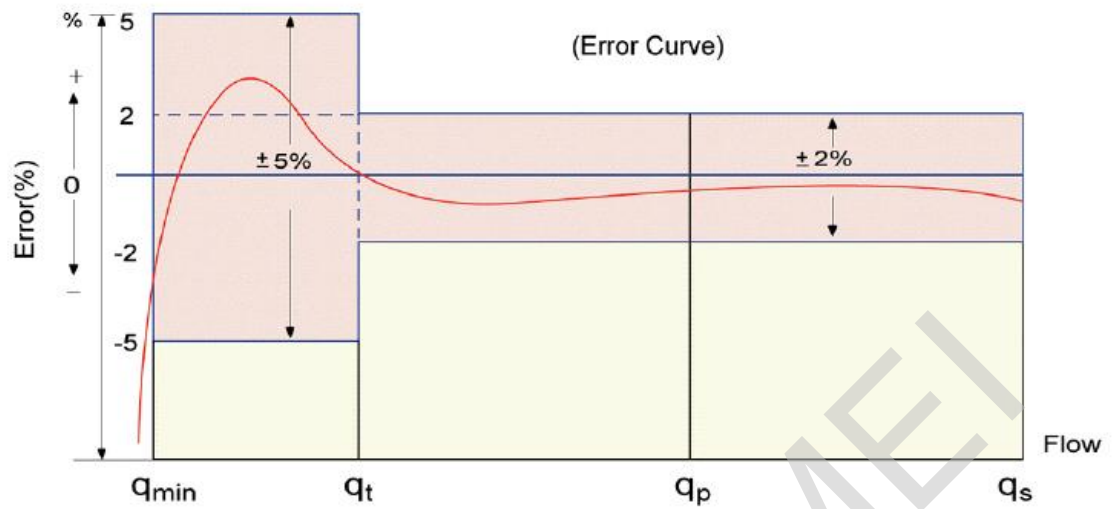
Address: 68 Western Town Road Shangtian Town Fenghua City Zhejiang China-315511

Tel: +86-574-88637838

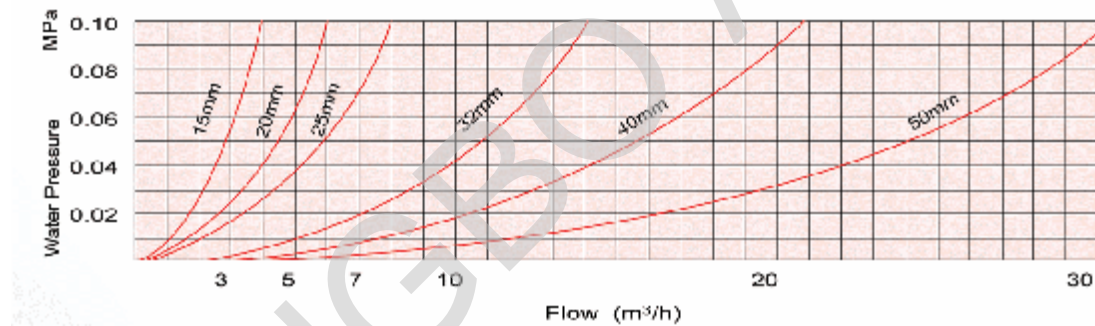
Fax: +86-574-88637968

Email: aimei@chinaaimei.com

FLOW ERROR CURVE



PRESSURE LOSS CURVE



NINGBO AIMEI METER MANUFACTURE CO., LTD.

Address: 68 Western Town Road Shangtian Town Fenghua City Zhejiang China-315511

Tel: +86-574-88637838

Fax: +86-574-88637968

Email: aimei@chinaaime.com