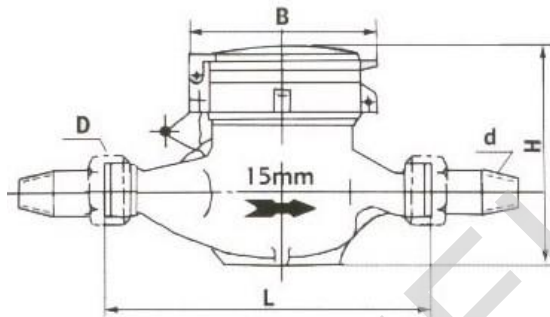


Multi Jet Dry Dial Plastic Water Meter
MODEL: LXSG-15S-40S



APPLICATION:

- ◆ Measuring the volume of cold potable water passing through the pipeline.

FEATURES:

- ◆ Completely plastic shell, solid and robust design, long service guaranteed.
- ◆ High quality materials fiberglass reinforced polymerization amine (WRAS approved), corrosion resistance.
- ◆ Pole ring magnet polymer coating as protection against deposits.
- ◆ The measuring mechanism can be exchanged.
- ◆ Anti-magnet.
- ◆ Inside calibration device.
- ◆ Large measuring range high flow accuracy.
- ◆ Steady curve characteristics.
- ◆ Measuring accuracy is up to ISO4064, Class B.
- ◆ Overload flowrate: $Q_s=2Q_p$ (Q_n =nominal flowrate)

WORKING CONDITION:

- ◆ Water temperature: $\leq 50^{\circ}\text{C}$
- ◆ Water pressure: $\leq 10\text{bar}$ (16 bar on request)

MAXIMUM PERMISSIBLE ERROR:

- ◆ In the lower zone from q_{\min} inclusive up to but excluding q_t is $\pm 5\%$
- ◆ In the upper zone from q_t inclusive up to and including q_s is $\pm 2\%$

ACCESSORIES

Optional: Both brass thread connections and plastic thread connections are available.

NINGBO AIMEI METER MANUFACTURE CO., LTD.

Address: 68 Western Town Road Shangtian Town Fenghua City Zhejiang China-315511

Tel: +86-574-88637838

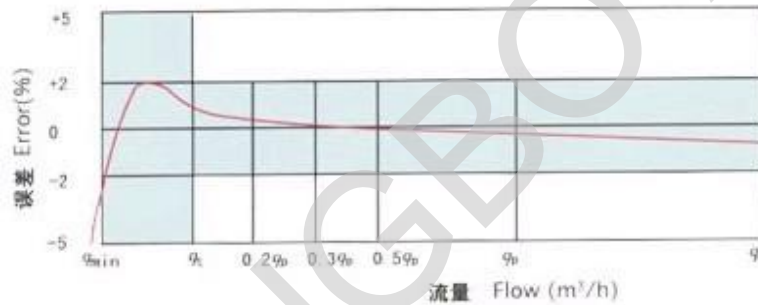
Fax: +86-574-88637968

Email: aimei@chinaaimei.com

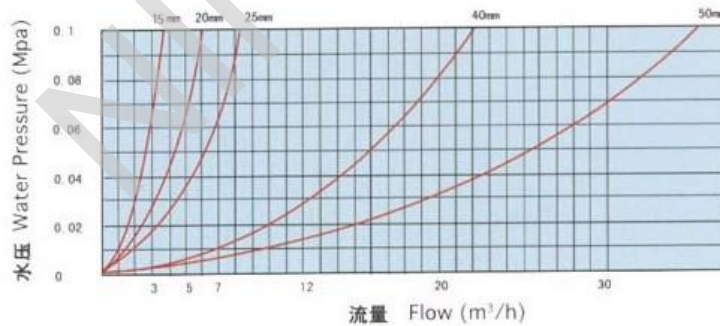
Type	Size (mm)	Class	q _s	q _p	q _t	q _{min}	Min.Reading	Max.Reading
			Max.Flow	Nominal Flow	Transitional Flow	Min. Flow		
			m ³ /h		L/h		m ³	
LXSG-15S	15	A	3	1.5	150	60	0.0001	99999
		B			120	30		
		C			22.5	15		
LXSG-20S	20	A	5	2.5	250	100	0.0001	99999
		B			200	50		
		C			37.5	25		
LXSG-25S	25	A	7	3.5	350	140	0.001	99999
		B			280	70		
LXSG-40S	40	A	20	10	1000	400	0.001	99999
		B			800	200		

Type	Size	L	B	H	Connection Thread	Weight
LXSG-15S	15	165/190	99	108	G3/4B	0.53kg/0.60kg-
LXSG-20S	20	190	99	108	G1B	0.60kg
LXSG-25S	25	225	104	114	G1 1/4B	0.78kg
LXSG-40S	40	245	128	158	G2B	1.2kg

Flow Error Curve



Head Loss Curve



NINGBO AIMEI METER MANUFACTURE CO., LTD.

Address: 68 Western Town Road Shangtian Town Fenghua City Zhejiang China-315511

Tel: +86-574-88637838

Fax: +86-574-88637968

Email: aimei@chinaaimei.com